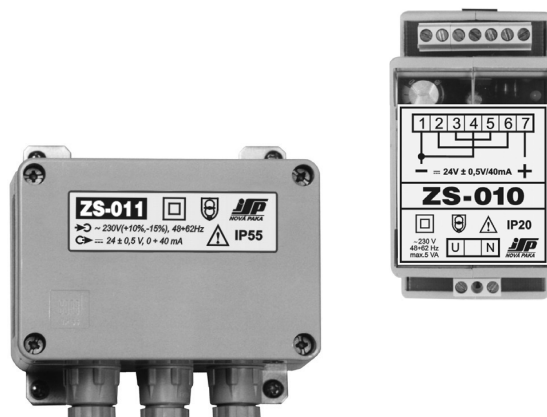


ZS-010, ZS-011 Stabilized Power Supplies

- Supply of transmitters in 2-, 3- and 4-wire connections
- Output voltage 24 V DC ± 0.5 V
- Output current 40 mA (25 mA)
- Supply voltage 230 V AC (+10 %, -15 %)
- Dielectric rating 4000 V AC
- Housing IP 40 (to DIN rails TS 35 and TS 32) and IP 55 (on wall)
- Meet harsh industrial requirements and EMC standards according to EN 61326-1/A1



Application

Stabilized power supplies ZS-010 and ZS-011 supply transmitters in 2-, 3-, and 4-wire connections in areas without explosion hazard.

Description

The nominal output voltage is 24 V DC. ZS-010 is designed for rail mounting (DIN TS 35 and TS 32). ZS-011 has IP 55 housing and is designed for wall mounting. It can be fastened to wall with 4 bolts and has 3 outlets. Thanks to doubling of output terminals both the transmitter and the indicator can be connected to the power supply without any additional terminals. The plastic boxes used are highly mechanically resistant and temperature stable.

Technical Specifications

Application:

Supplying of transmitters

Output Voltage:

Stabilized 24 ± 0.5 V DC

Output Current:

0 to 40 mA with limit up to approx. 60 mA

0 to 25 mA with limit up to approx. 45 mA

Supply Voltage:

230 V AC (+10 %, -15 %), 48 to 62 Hz

Power Consumption:

Max. 5 VA

Dielectric Rating:

4000 V AC, output circuits against mains circuit

Supplementary Specifications

The power supplies are produced as devices of 2nd class of protection, installation overvoltage class 3 according to EN 61010-1. The power supplies are resistant against long-term short circuit of output and are protected by reversible temperature fuses according to EN 60730-1/1994. The power supplies are designed for continuous operation and have not cut-out fuses in power input. Therefore they should be externally protected by fuses or by circuit breakers. Type of output is SELV. Therefore mains supply voltage has to allow switching off.

Effect of Ambient Temperature:

± 0.5 % / 10 °C for transmitter supply voltage

EMC (Electromagnetic Compatibility):

According to EN 61326-1:98/A1:99

Isolation:

Min. 50 M Ω

Operation Conditions

Ambient Temperature:

-25 to +60 °C

Humidity:

ZS-010 10 to 80 % rh

ZS-011 0 to 100 % rh with condensation

Elevation:

up to 2000 m above sea level

Other Data

Housing According to EN 60529:

ZS-010 IP 40 (terminals IP 00)

ZS-011 IP 55

Weight:

ZS-010 240 g

ZS-011 420 g

Material of Boxes:

ZS-010 polyamide

ZS-011 polycarbonate

Stabilized Power Supplies ZS-010, ZS-011

Dimensional Drawings

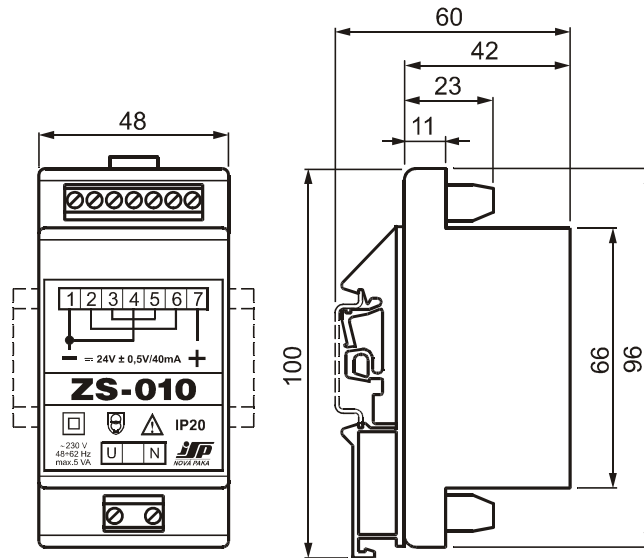
Type ZS-010

Appropriate Mounting Rails:

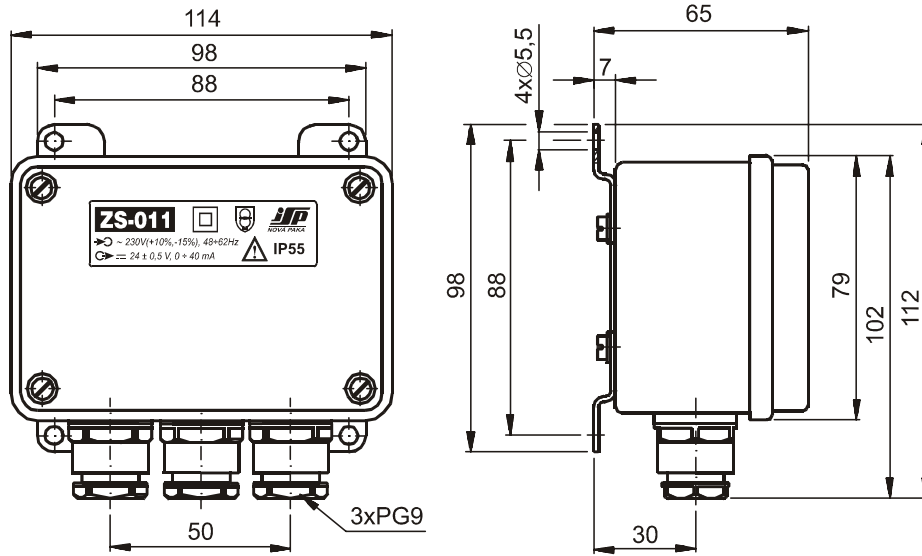
- 35 x 27 x 7.5 mm EN 50022
- 35 x 24 x 15 mm EN 50022
- 35 x 27 x 15 mm
- 32 mm EN 50035 G-32

Screw terminals for connection of wires with 0.5 to 1.5 mm² cross-section.

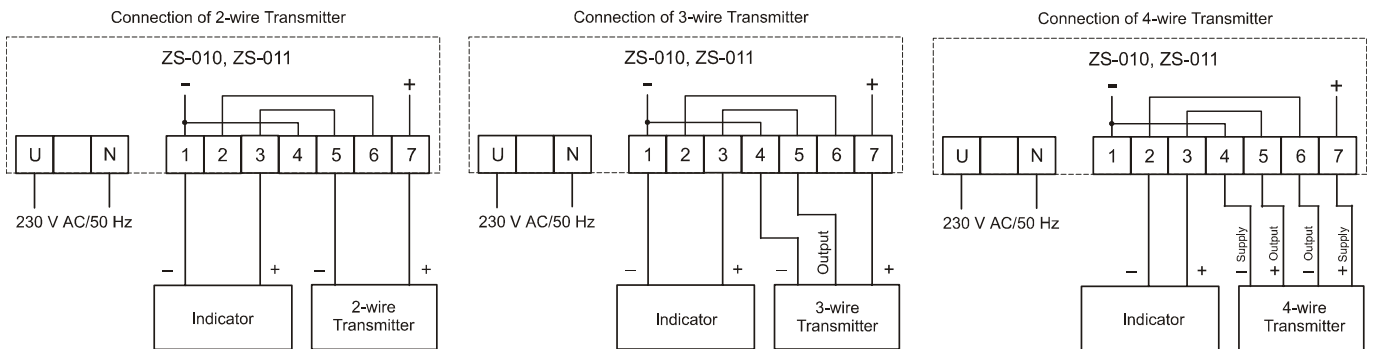
The minimum distance between mains terminals and the metal panel is 8 mm!



Type ZS-011



Electrical Connections



Type	Description
• 119 →	Stabilized Power Supply
Kód	Description
• 010	Stabilized Power Supply ZS-010 (Rail Mounted Version, DIN TS 35 and TS 32, Housing IP 40)
• 011 →	Stabilized Power Supply ZS-011 (Wall Mounted Version, Housing IP 55, dimension 110x112x65 mm)
Code	Output Current
• 0 →	40 mA
1	25 mA
Example of Order: 119 0110	
• ... Ex Stock Version	