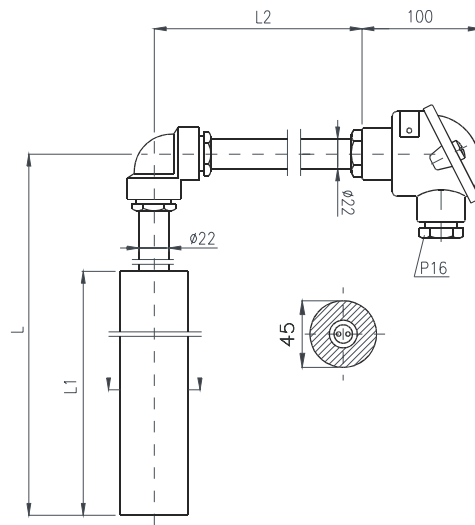


T1507

Angle-type Thermocouple Temperature Sensors with SiC Protective Tubes

- Thermocouple J, K (wire $\varnothing 3$ mm)
- Measuring range 0 to +700 °C ("J"), 0 to +1100 °C ("K")
- Accuracy class 2 according to EN 60584-2
- Spherical head form A according to DIN
- Measuring of temperature in melting furnaces for non-ferrous metals
- Selectable protective tube length
- Housing IP 55



Application

Angle-type thermocouple temperature sensors T1507 are designed for remote measuring of temperature in melting furnaces for non-ferrous metals. They are designed for mounting into furnace walls and other technologic plants.

Description

A single or dual thermocouple type J or type K which is placed in the protective tube of silicon carbide and connected to a terminal block inside the spherical head form A according to DIN. There is made use of rise of thermoelectric voltage. Its size depends on a temperature difference between a measuring junction and a cold junction of the thermocouple. The thermometer should be mounted by a special bracket.

Technical Specifications

Thermocouple:

J, K, accuracy class 2 according to EN 60584-2

Measuring Range:

0 to +700 °C (thermocouple J)
0 to +1100 °C (thermocouple K)

Diameter of Wires:

$\varnothing 3$ mm

Materials:

Head - Aluminium alloy
Protective tube - SiC (silicon carbide)

Maximum Temperature of Head:

150 °C

Housing:

IP 55

EMC (Electromagnetic Compatibility):

According to EN 61326-1:98 / A1:99

Angle-type Thermocouple Temperature Sensors T1507 with SiC Protective Tubes

Type	Description		
T1507-6 →	Angle-type Thermocouple Temperature Sensors with SiC Protective Tubes		
Code	Thermocouple	Measuring Range	
21 →	1x "J" (Fe-CuNi), Insulated	0 to 700 °C	
61	2x "J" (Fe-CuNi), Insulated, Isolated Junctions	0 to 700 °C	
22	1x "K" (NiCr-NiAl), Insulated	0 to 1100 °C	
62	2x "K" (NiCr-NiAl), Insulated, Isolated Junctions	0 to 1100 °C	
Code	Accuracy Class according to EN 60584-2		
7 →	2		
Code	Nominal Length L [mm]	L1 [mm]	L2 [mm]
150 →	500	400	500
171	710	600	570
210	1000	900	570
Code	Protective Tube - Outside Diameter [mm]	Material	Inside Steel Tube [mm]
O3 →	∅45	SiC	∅22
Code	Head		
H1 →	Spherical Form A according to DIN, Material Aluminium Alloy, Aluminium Varnish, Cable Outlet M20x1.5, Housing IP 55		
Example of Order: T1507-6 21 7 150 O3 H1			