

# NJ-14 and NJ-14EEx

## Set-up Units for P5102, P5201, P5102EEx and P5201EEx Transmitters

- Setting of range, damping and limit values of comparators of P5102 and P5201 transmitters
- Powered by connected transmitter
- Indicate instant value measured by transmitter
- Control with three push-buttons
- Intrinsically Safe Version EEx ia IIC T4 ... T6 (ATEX)



### Application

NJ-14 set-up unit is used for setting of measuring range, sensor error correction, damping, sensor break indication (<3.6 mA or >21 mA), hysteresis, way of switching and comparator limits of P5102 and P5201 transmitters. The set-up unit can also display an instantaneous measured value.

NJ-14EEx set-up unit is used for setting of P5102EEx and P5201EEx transmitters located in an area with explosion hazard. The set-up unit can't be located in zone 1, group IIC permanently because electrostatic discharge is possible. Only temporary connecting, setting of desired values and removing is allowed.

### Description

The set-up unit has a display and three push-buttons in the front. The set-up unit also has a connection cable in the back which is used for connection to the transmitter. The cable should be inserted into the transmitter connector. The set-up unit is powered by the connected transmitter.

### Technical Specifications

#### Application:

Setting of range, damping values, hysteresis, way of switching and comparator limits of P5102 and P5201 transmitters

#### Display:

4-digit LCD with sign

### Supplementary Specifications

#### EMC (Electromagnetic Compatibility):

According to EN 61326-1:98/A1:99

### Operation Conditions

#### Operating Temperature Range:

-10 to 55 °C

#### Humidity:

0 to 80 % rh (without condensation)

#### Elevation:

Up to 2000 m above sea level

### Other Data

#### Weight:

125 g

#### Housing:

IP 40

#### Materials:

Case, push-buttons cured polystyrene

#### NJ-14EEx:

Intrinsically Safe Version

II 2G EEx ia IIC T4 ... T6

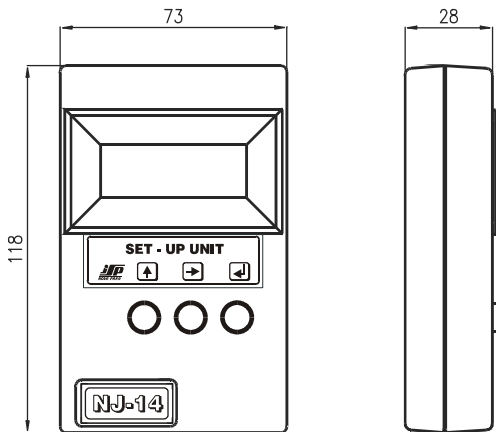
T4, T5 -10 to +55 °C

T6 -10 to +40 °C

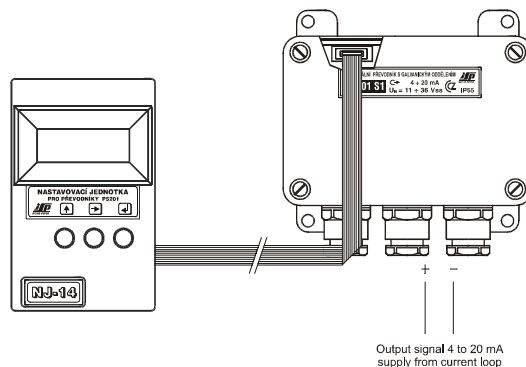
Certificate No: FTZÚ 01 ATEX 0046X

# NJ-14 Set-up Unit for P5102 and P5201 Transmitters

## Dimensional Drawings

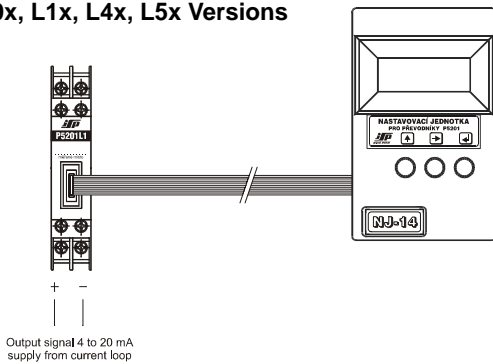


## P5201 S1x, S2x Versions

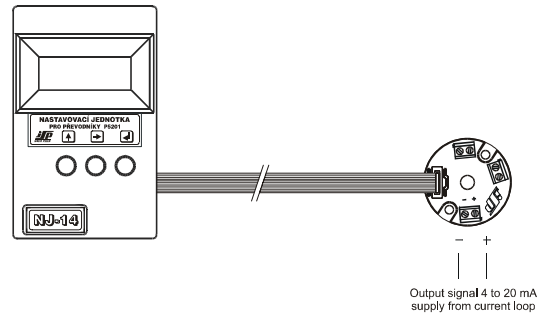


## Electrical Connection

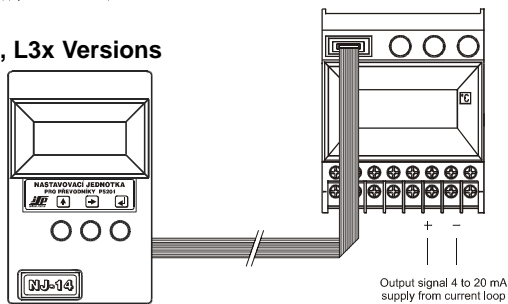
### P5201 L0x, L1x, L4x, L5x Versions



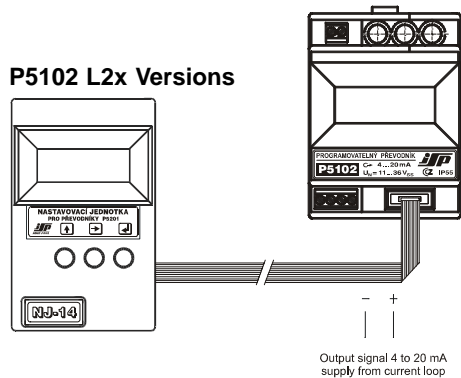
### P5201 H1x; P5102 H1x Versions



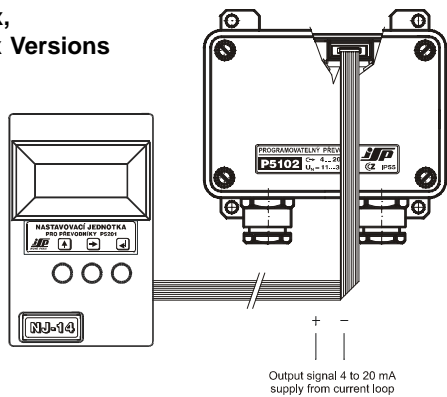
### P5201 L2x, L3x Versions



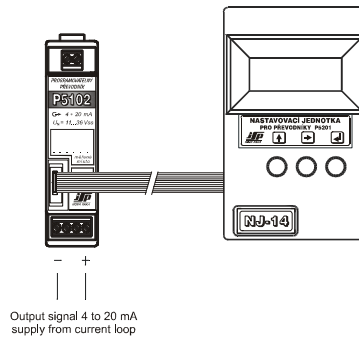
### P5102 L2x Versions



### P5102 S1x, P5102 S2x Versions



### P5102 L1x Versions



Type	Description
• 119 14 →	NJ-14 Set-up Unit for P5102 and P5201 Transmitters
• 119 14 E1	NJ-14 Set-up Unit for P5102Ex and P5201Ex, Intrinsically Safe Version II 2 G EEx ia IIC T4 .. T6, Certificate No. FTZÚ 01 ATEX 0046X
Code	Language Version
• EN →	English Version
Example of Order: 119 14 EN	
• ... Ex Stock Version	