

## NJ-12 and NJ-13 Set-up Units for PT Transmitters

- Setting of range and damping of PT-011, PT-02x, PT-031 and PT-04x transmitters
- Powered by connected transmitter
- Indicate instant value measured by transmitters
- Control with three push-buttons (identical with PT transmitters with display)



### Application

NJ-12 and NJ-13 set-up units are used for setting of measuring range and damping and sensor break monitoring (<4 mA or >20 mA) of PT transmitters. NJ-12 set-up unit is designed for transmitters for resistance sensors (PT-011 and PT-02x), NJ-13 set-up unit is designed for transmitters for thermocouples (PT-031 and PT-04x). The set-up units can also display an instantaneous measured value.

### Description

The set-up unit has a display and three push-buttons in the front. Each set-up unit has a connection cable in the back which is used for connection to the PT transmitter. The cable should be inserted into the transmitter connector (see electrical connection). The setting can be started after connecting of supply voltage to the transmitter.

### Technical Specifications

#### Application:

Setting of range and damping of PT transmitters

#### Display:

NJ-12	4-digit LCD (1 decimal place)
NJ-13	4-digit LCD

### Supplementary Specifications

**EMC (Electromagnetic Compatibility):**  
According to EN 61326-1:98/A1:99

### Operation Conditions

**Operating Temperature:**  
-10 to 55 °C

**Humidity:**  
0 to 80 % rh (without condensation)

**Elevation:**  
Up to 2000 m above sea level

### Other Specifications

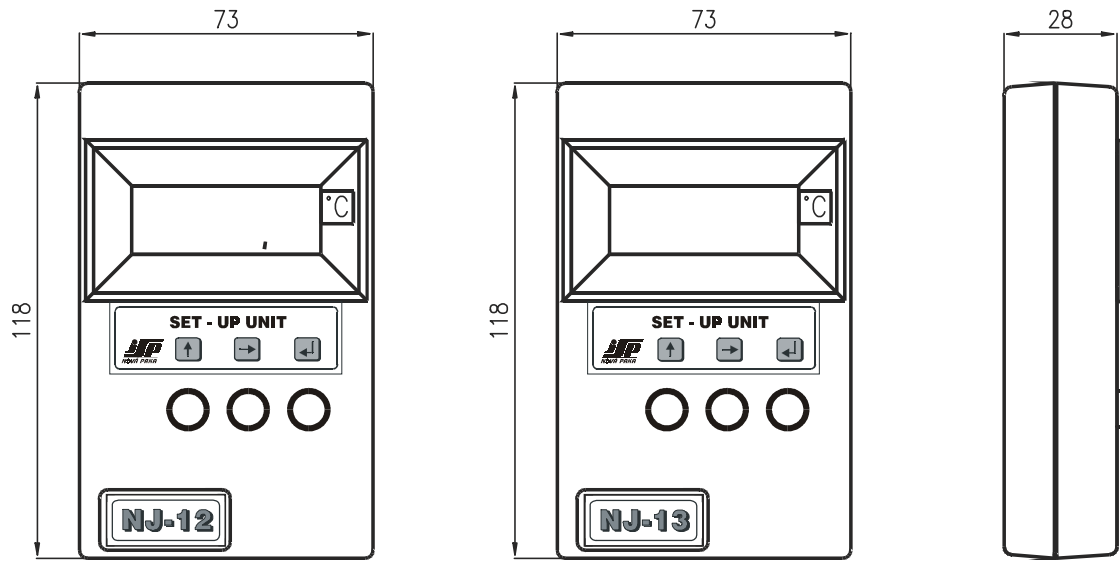
**Weight:**  
125 g

**Housing:**  
IP 40

**Materials:**  
Case, push-buttons      Cured polystyrene

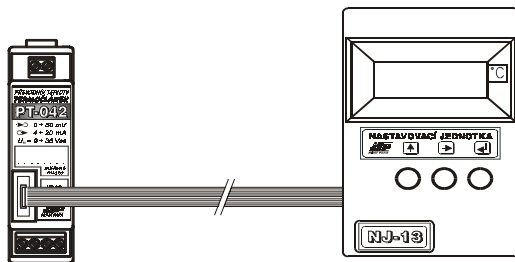
# Set-up Units NJ-12 and NJ-13 for PT Transmitters

## Dimensional Drawings

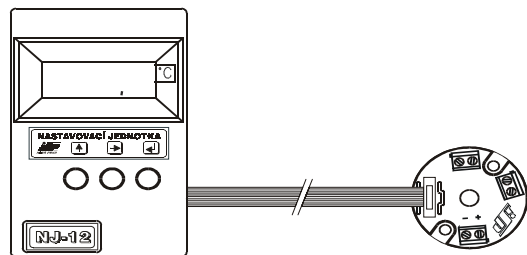


## Electrical Connections

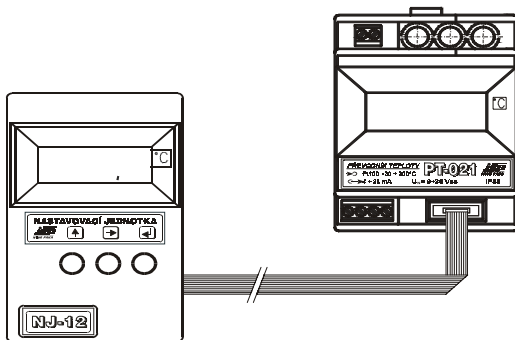
Connection of PT-022 and PT-042 Transmitters



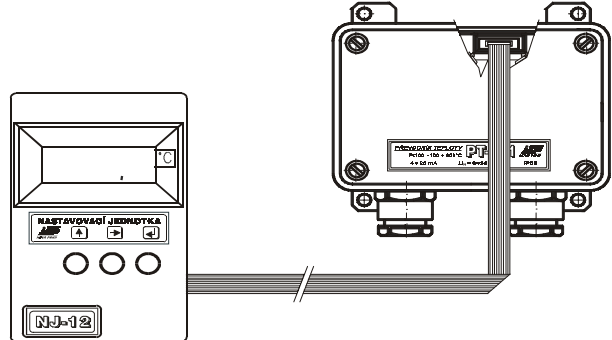
Connection of PT-011 and PT-031 Transmitters



Connection of PT-020 and PT-040 Transmitters



Connection of PT-021 and PT-041 Transmitters



Type	Description
• 119 12 →	Set-up Unit for Transmitters PT-01x and PT-02x
• 119 13	Set-up Unit for Transmitters PT-03x and PT-04x
Code	Language Version
• EN →	English Version
Example of Order: 119 12 EN	

• ... Ex Stock Version